

**HART**  
**S P O R T**



**21-101**

**Optimum Indoor  
Table Tennis  
Table**

**!** Before starting to assemble the table tennis table please read the assembly instructions carefully. Please keep the instructions for your information, for maintenance and for ordering spare parts.

✦ At least two adults have to participate in the assembly of the table tennis table which should be carried out on a clean soft floor.

✦ Before commencing the assembly, check all the parts according to the Parts List on page 5.

✦ Please follow the ABC references for the order of the assembly.

✦ If there is a Part Mark, please read the information relating to it on the Parts List on page 5.

✦ Please use the tools as indicated for each assembly step.

✦ Please refer to the assembly video found at [www.hartsport.com.au](http://www.hartsport.com.au) or [www.hartsport.co.nz](http://www.hartsport.co.nz). Search for 21-101. Or you can scan the QR Code below to view the video on your hand held device.

**13** ——— Part mark



——— Tools required



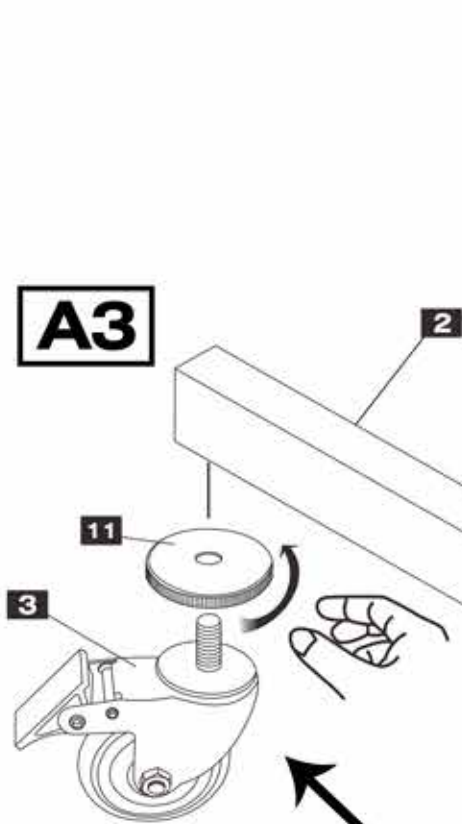
Scan for  
Video Online



——— Two people required for this step

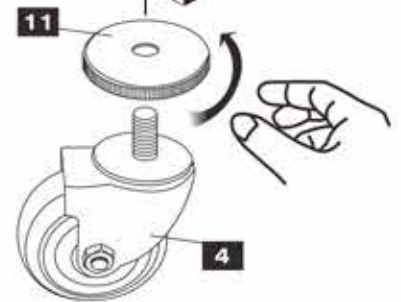


**A3**

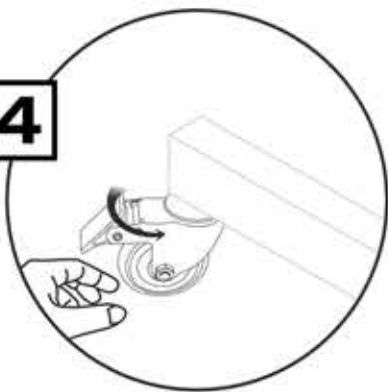


Ensure one lockable wheel is on each base!

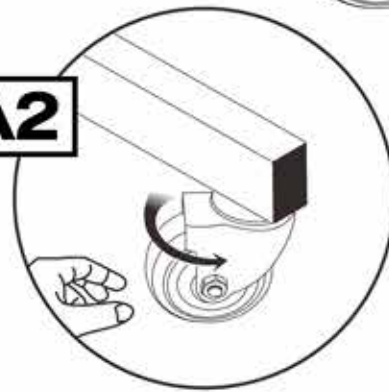
**A1**



**A4**

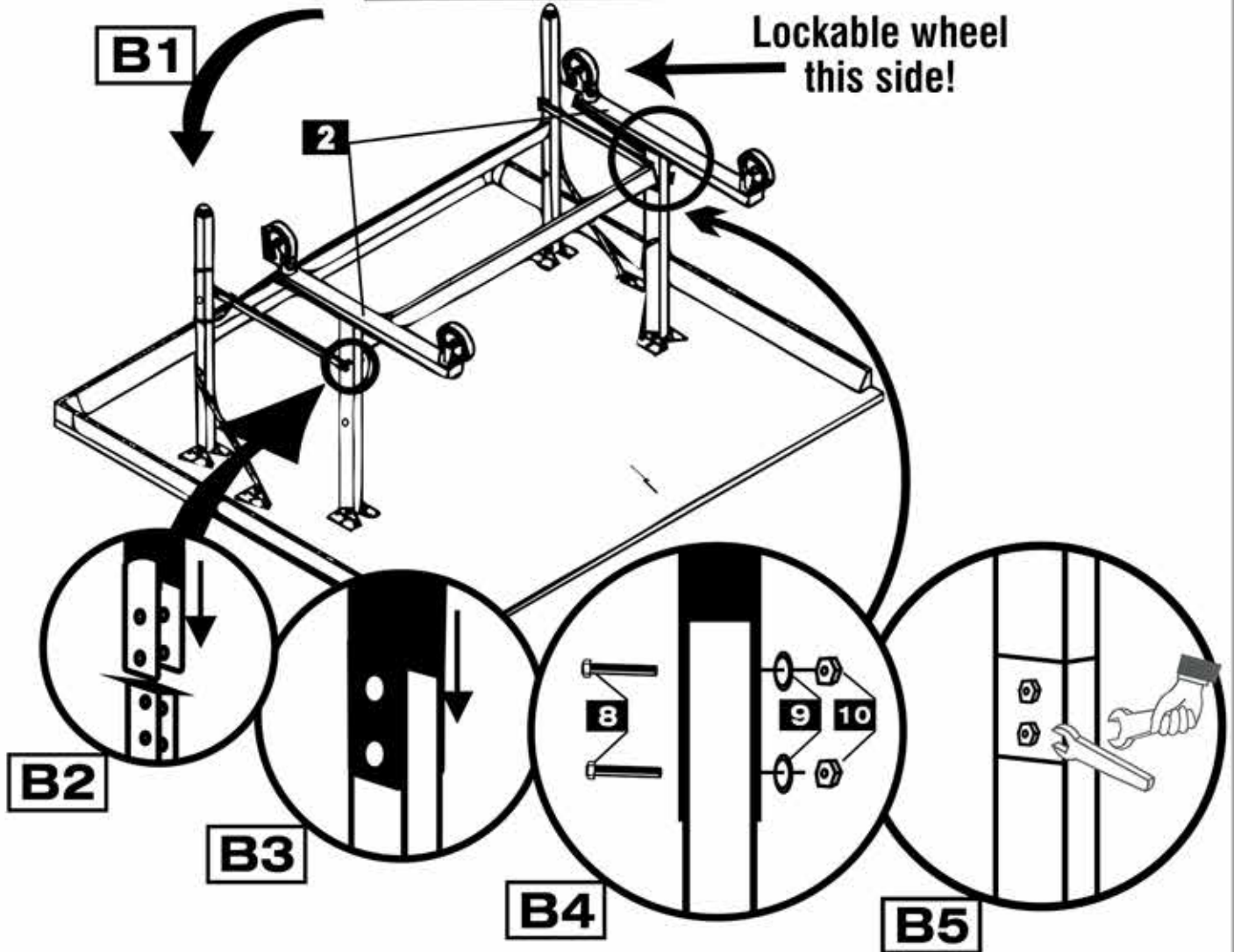
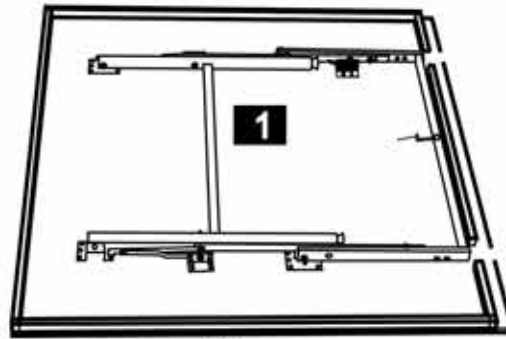


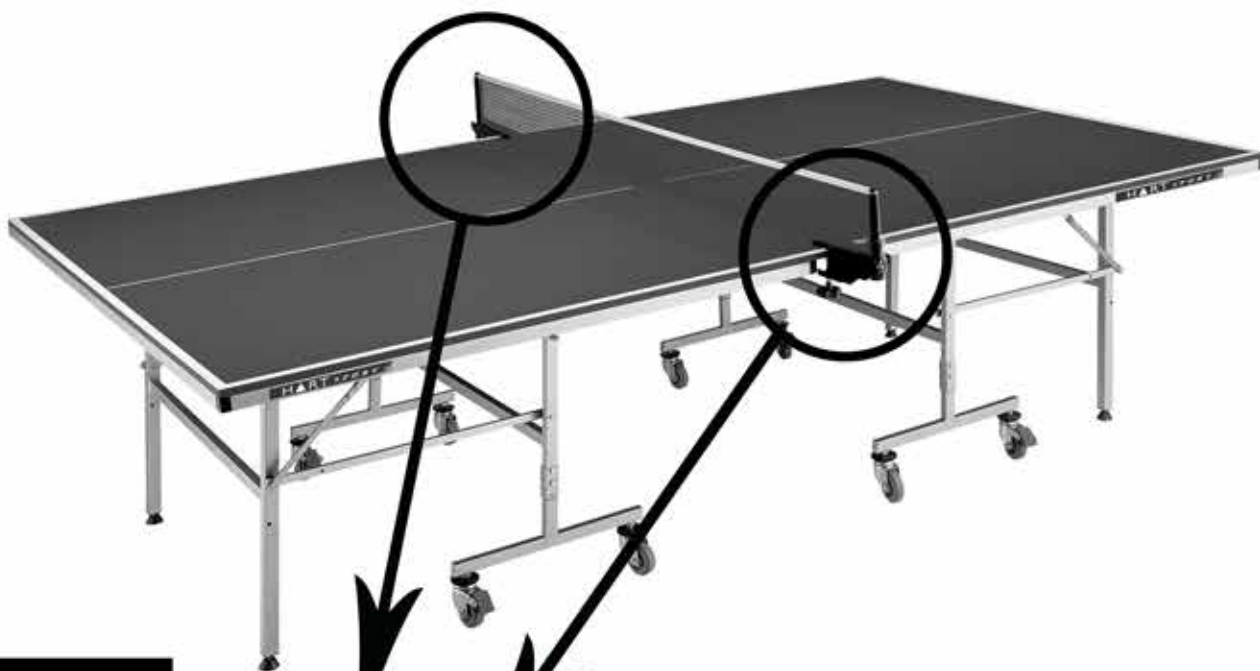
**A2**



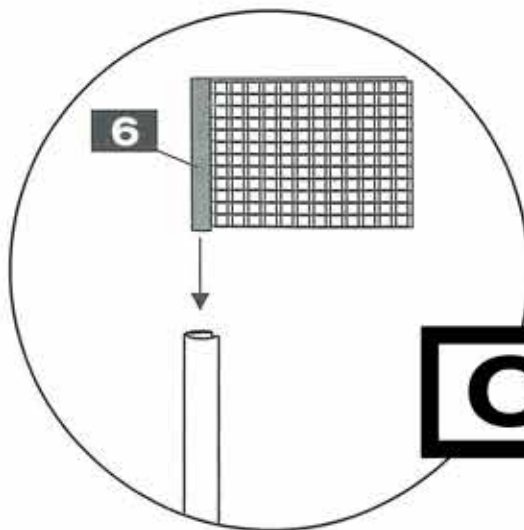
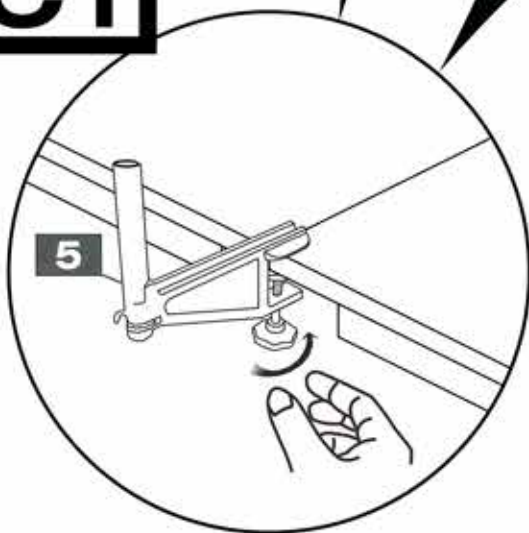
**B****HART**  
**S P O R T**

**Repeat this  
step for both  
table pieces!**

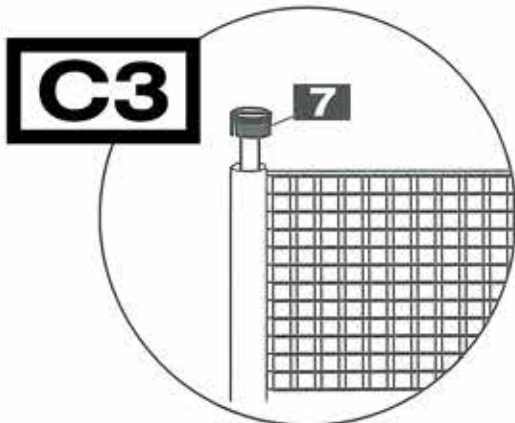




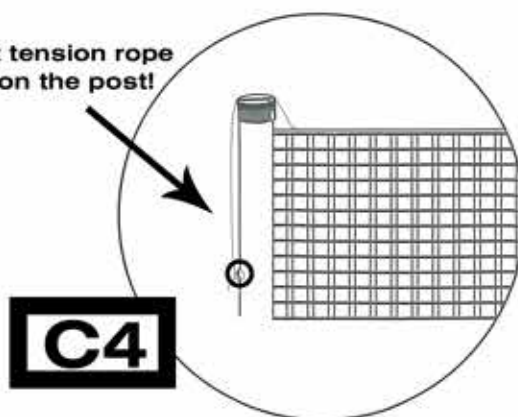
**C1**



**C2**



Fasten the net tension rope to the notch on the post!



**C4**

