

HART
S P O R T



21-104



Elements Table
Tennis Table

! Before starting to assemble the table tennis table please read the assembly instructions carefully. Please keep the instructions for your information, for maintenance and for ordering spare parts.

✦ At least two adults have to participate in the assembly of the table tennis table which should be carried out on a clean soft floor.

✦ Before commencing the assembly, check all the parts according to the Parts List on page 10.

✦ Please follow the ABC references for the order of the assembly.

✦ If there is a Part Mark, please read the information relating to it on the Parts List on page 10.

✦ Please use the tools as indicated for each assembly step.

✦ Please refer to the assembly video found at www.hartsport.com.au or www.hartsport.co.nz. Search for 21-104. Or you can scan the QR Code below to view the video on your hand held device.

13 ——— Part mark



——— Tools required



——— Two people required for this step

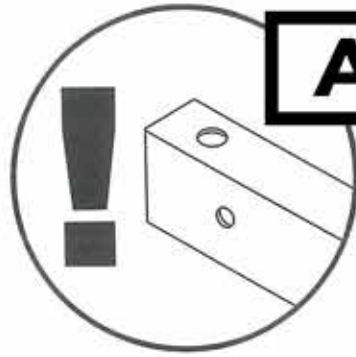


Scan for
Video Online

A

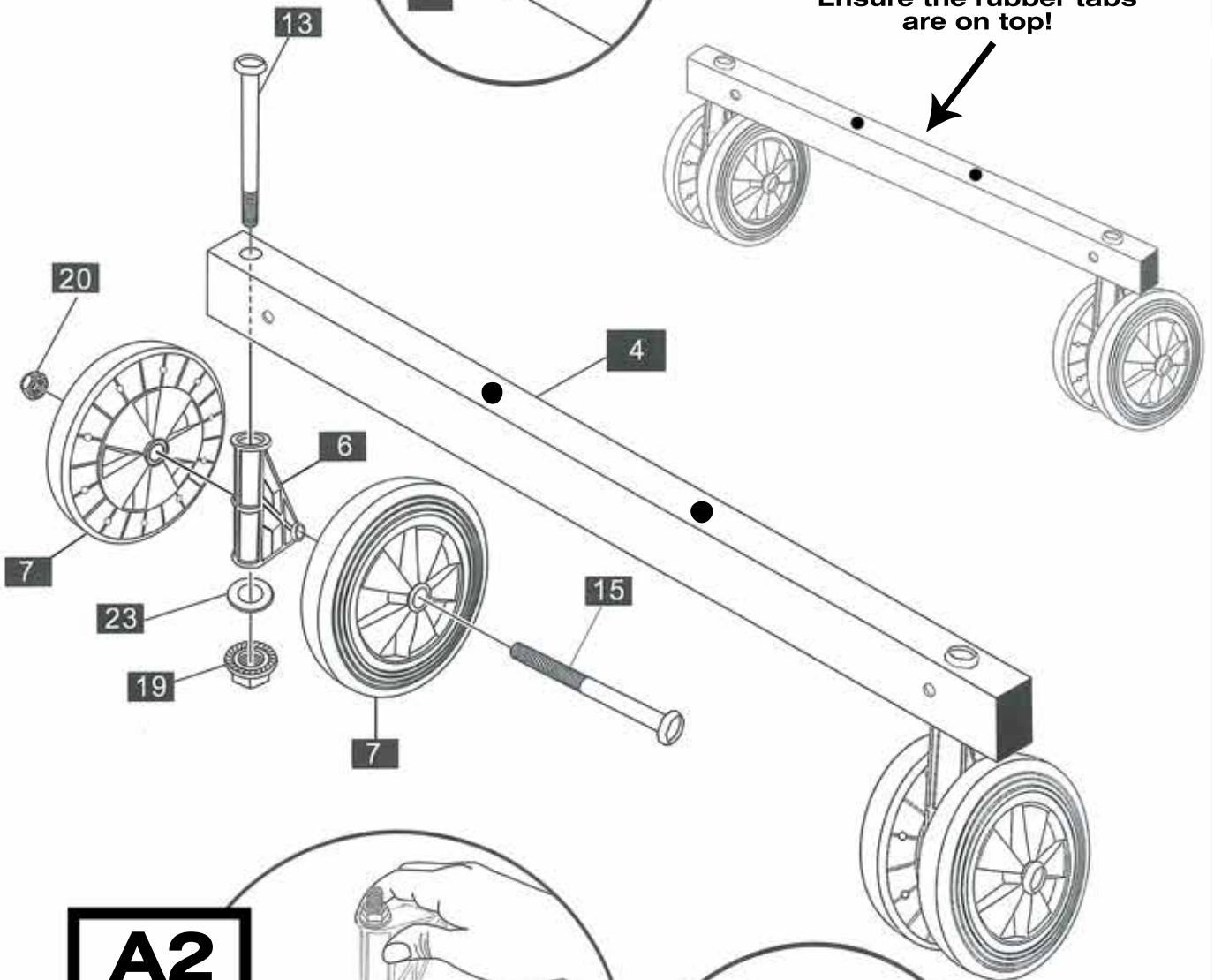


HART SPORT

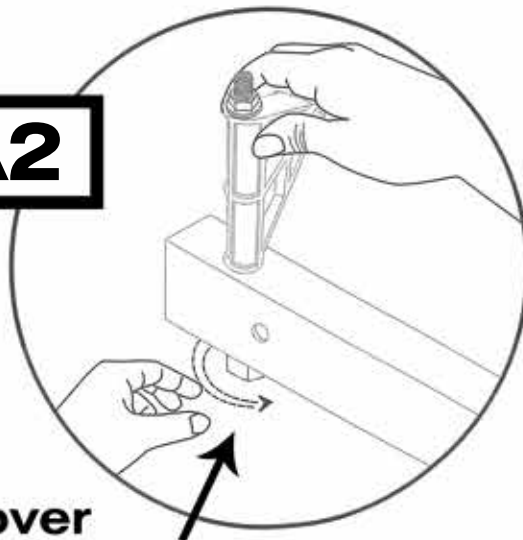


A1

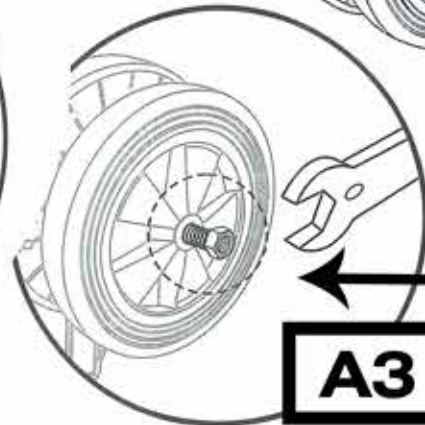
Ensure the rubber tabs are on top!



A2



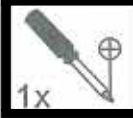
Don't over tighten!



Don't over tighten!

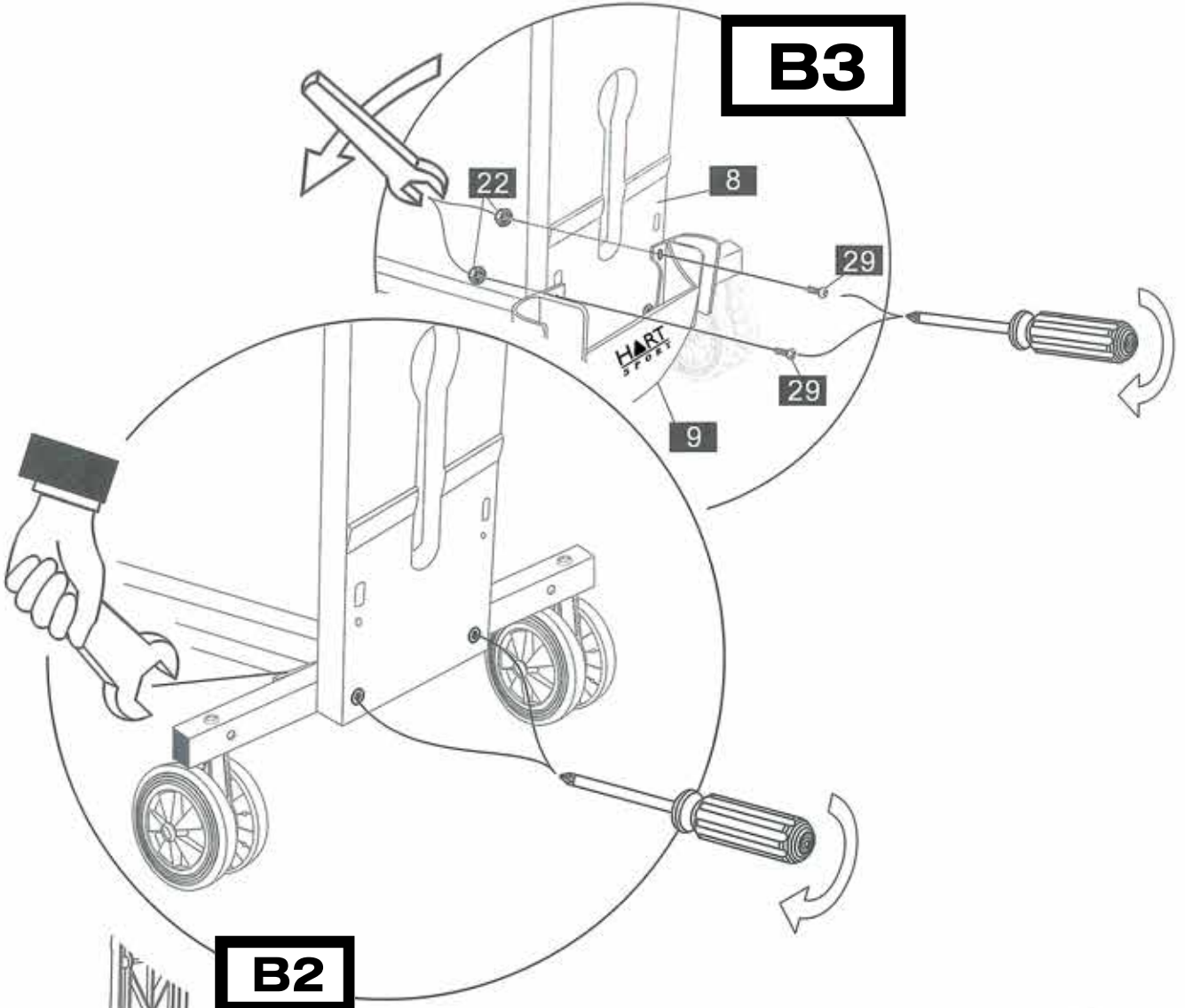
A3

B



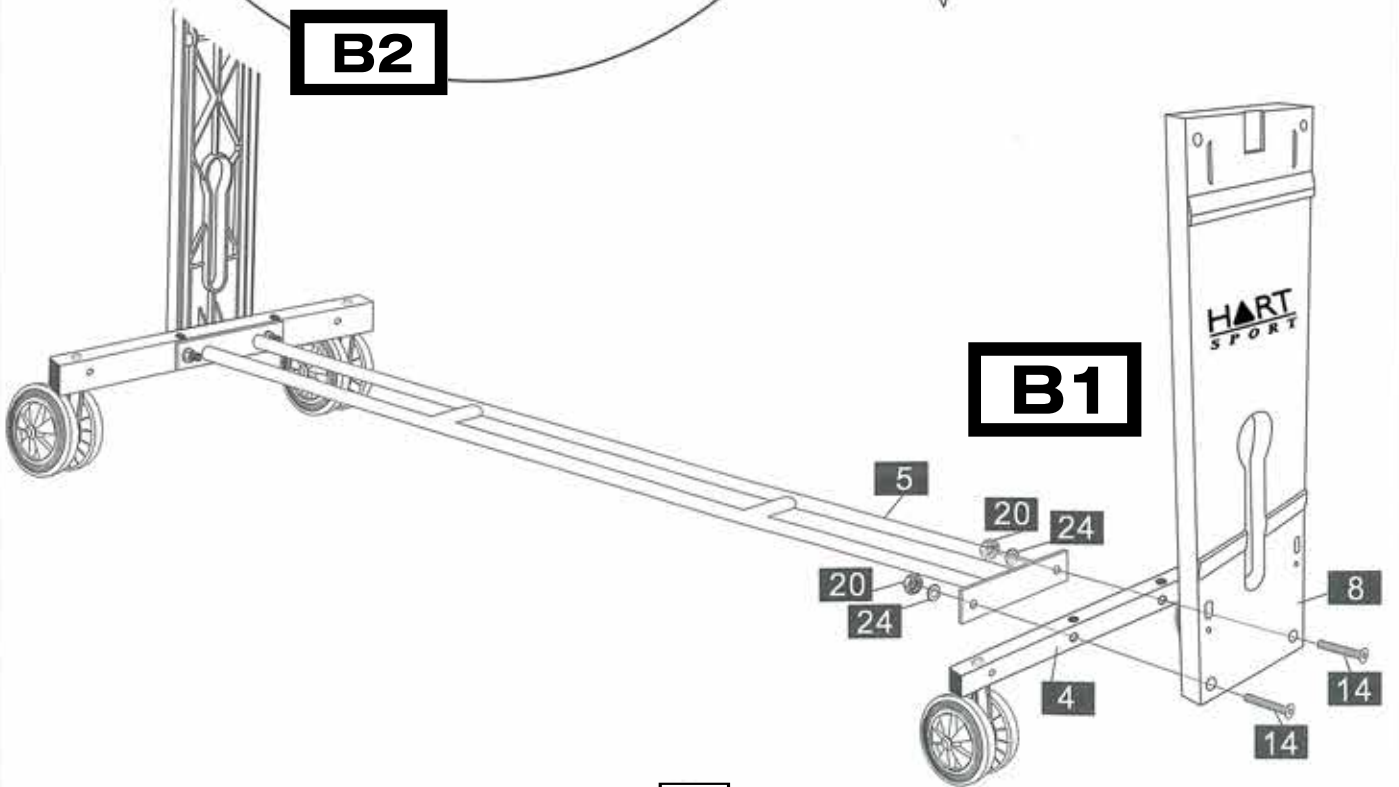
HART SPORT

B3



B2

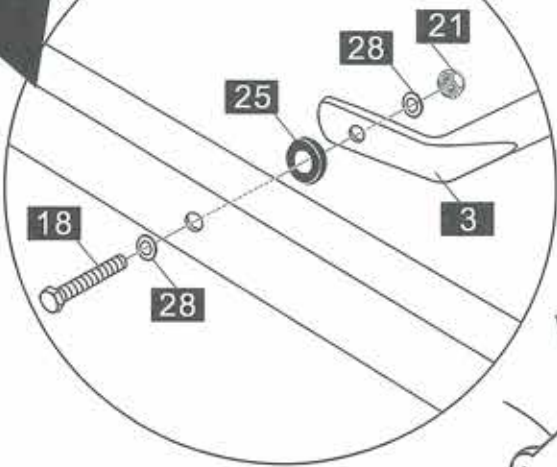
B1



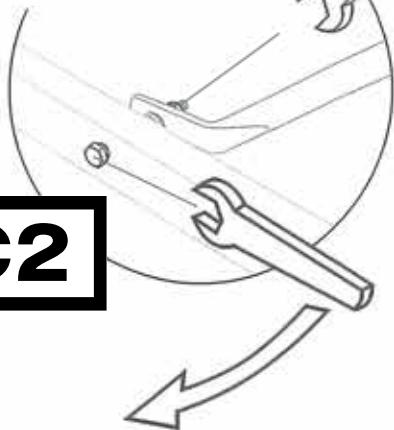


Repeat these steps
for the second table top!

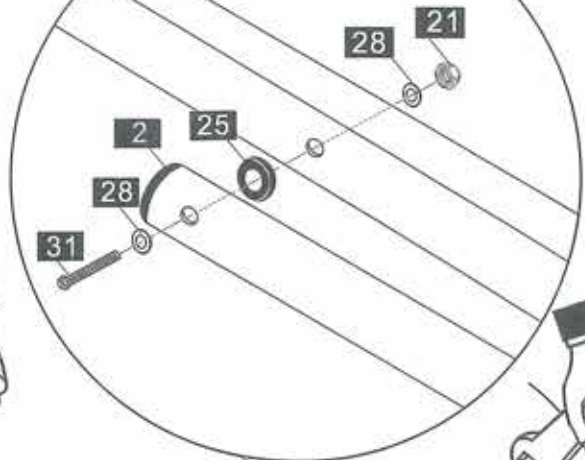
C1



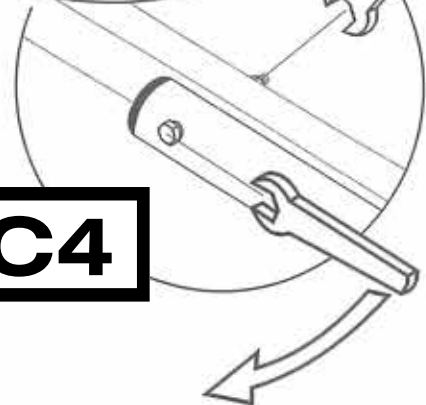
C2



C3



C4

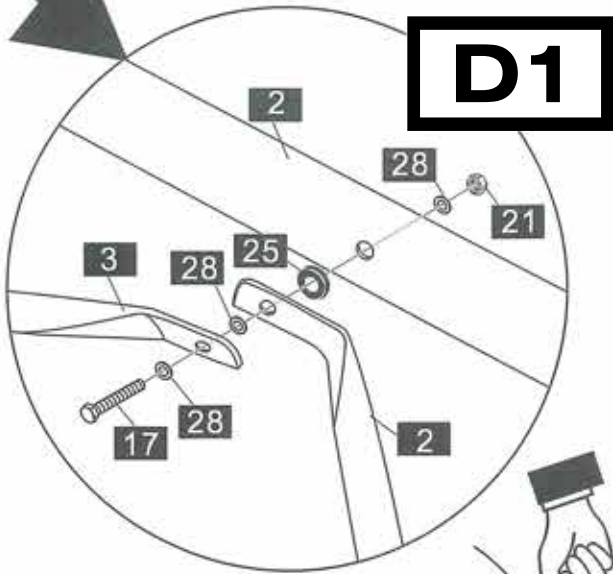


D

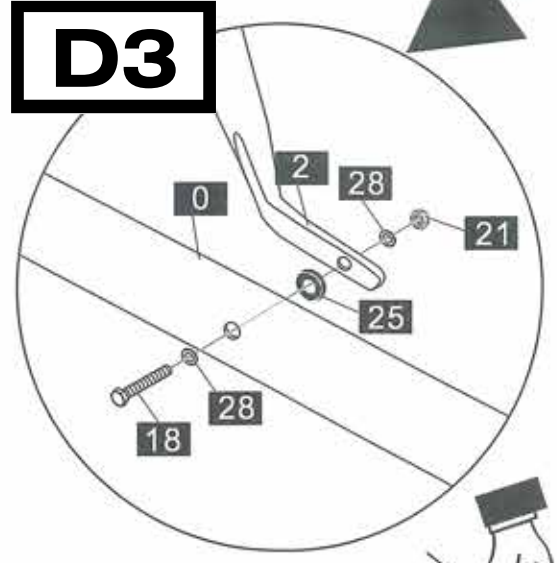


HART SPORT

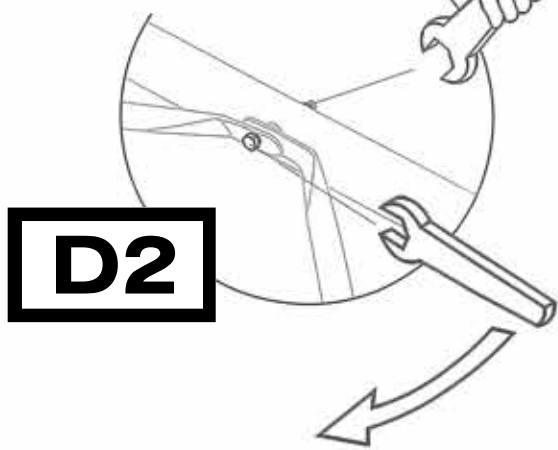
Repeat these steps
for the second table top!



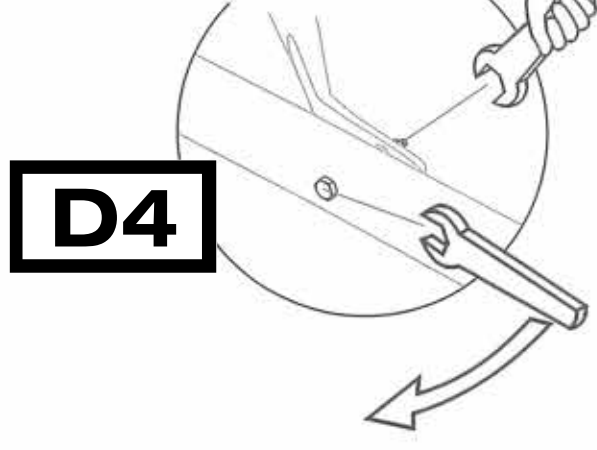
D1



D3

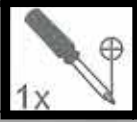


D2



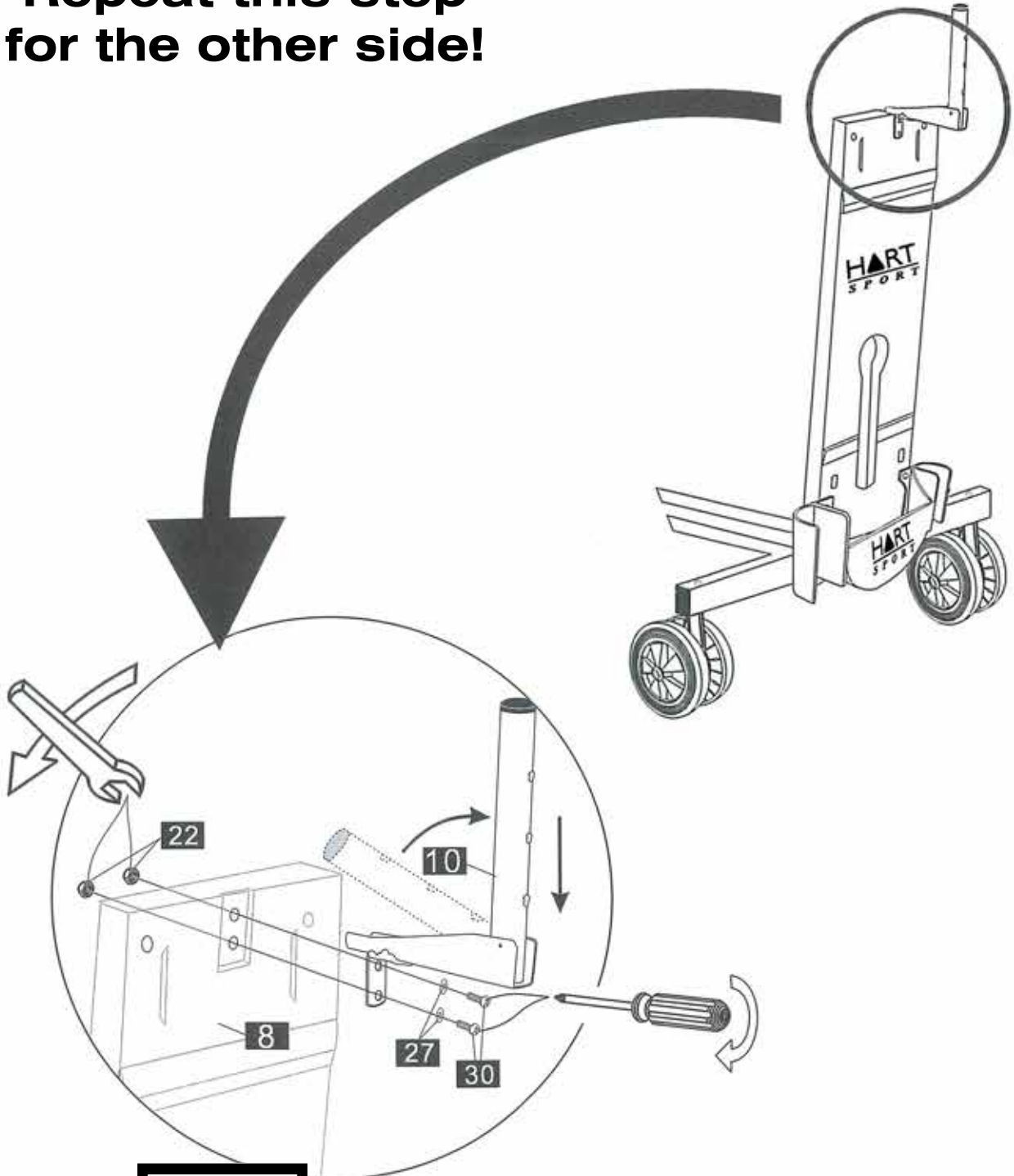
D4

E



HART SPORT

**Repeat this step
for the other side!**



E1



F1



hitch

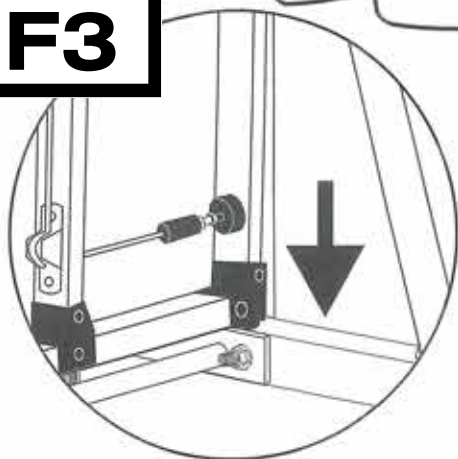
F4



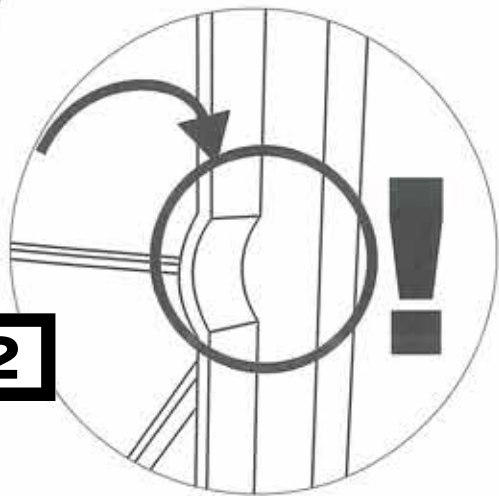
take off

Ensure the table piece is held by a person at all times during Step F!

F3



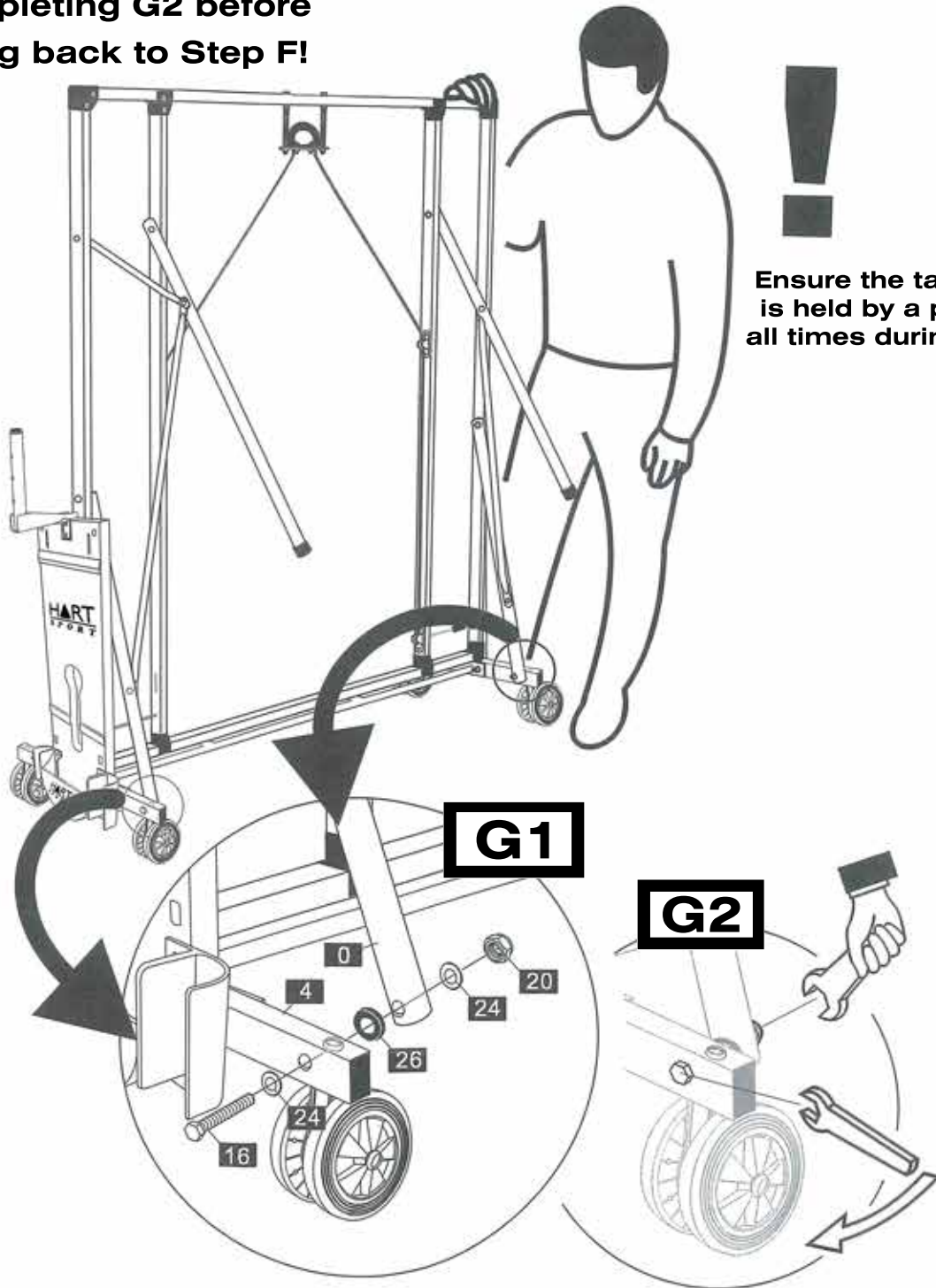
F2

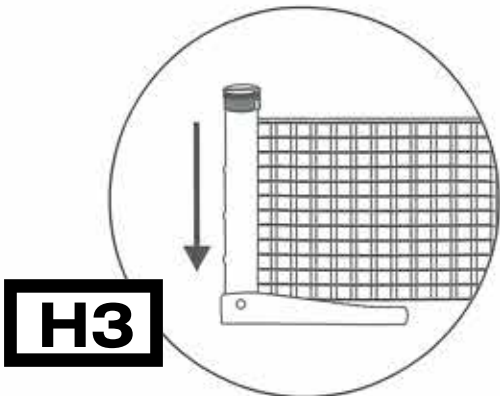
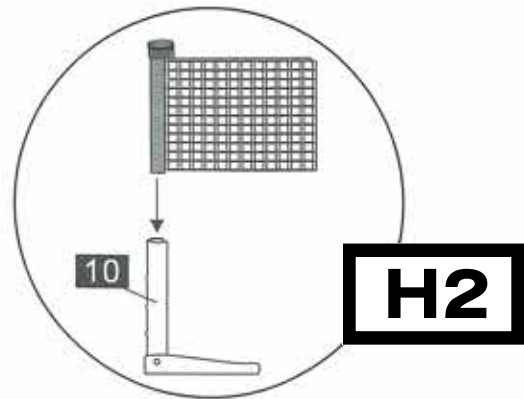
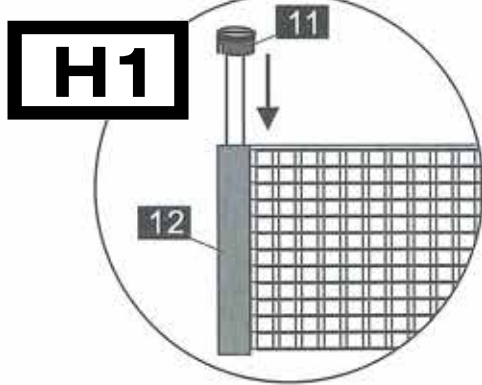
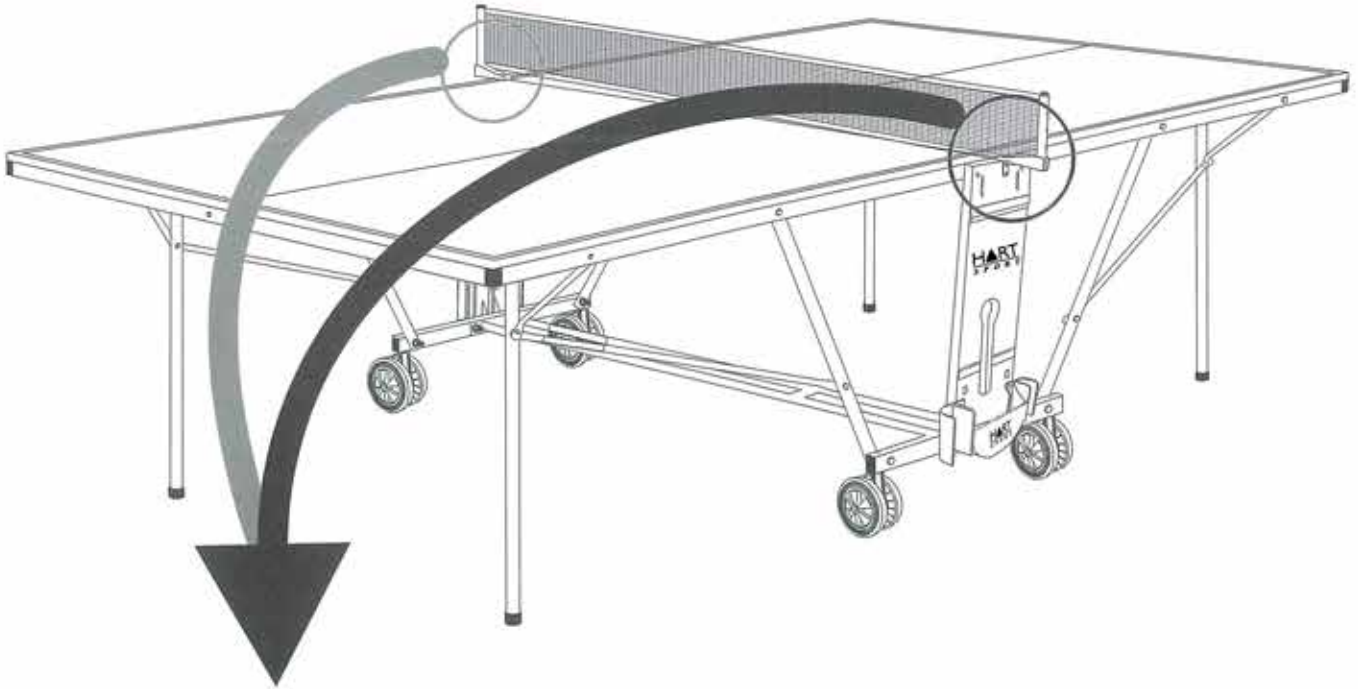
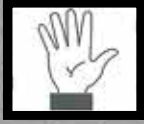




Repeat steps F and G
for the second table top!

Secure the table in place by
completing G2 before
going back to Step F!





Fasten the net tension rope to one of the notches on the post!

